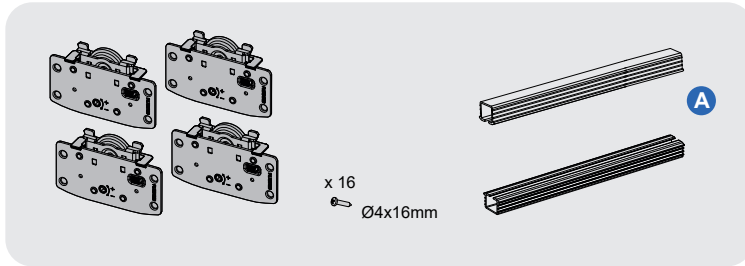


FLOW 2 - RECESSED INSTALLATION

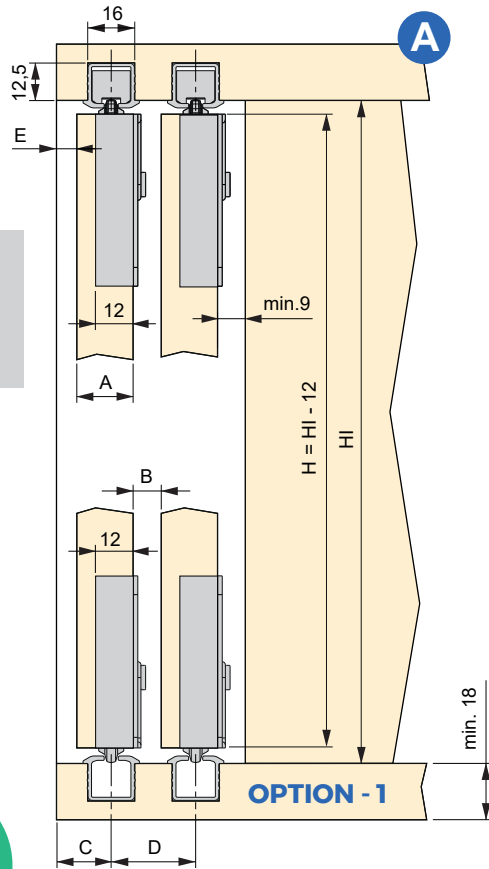
1/4

emuca
where creation begins

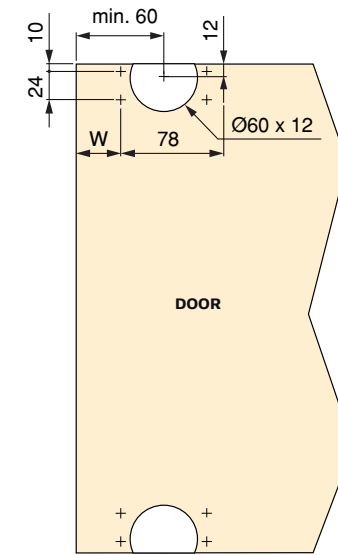
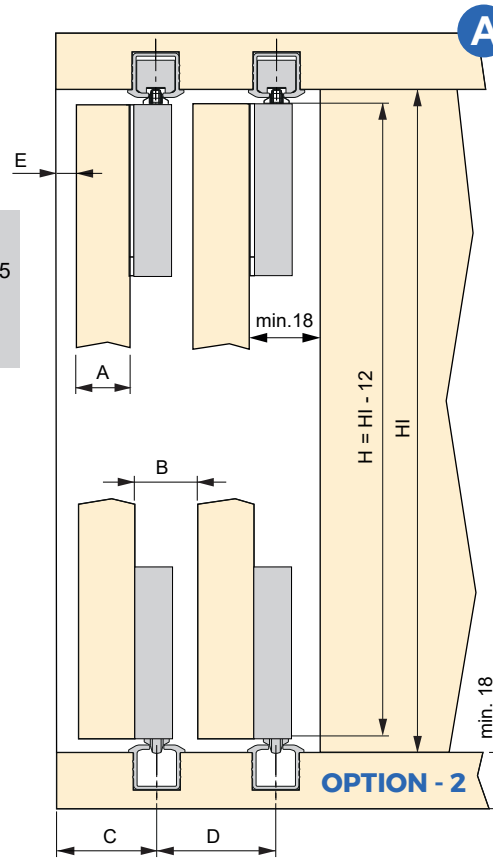
RECESSED INSTALLATION / DA INCASSO / MONTAJE EMPOTRAR / ENCASTRER
MONTAGEM EMBUTIR / DO MONTAŽU PODTYNKOWEGO



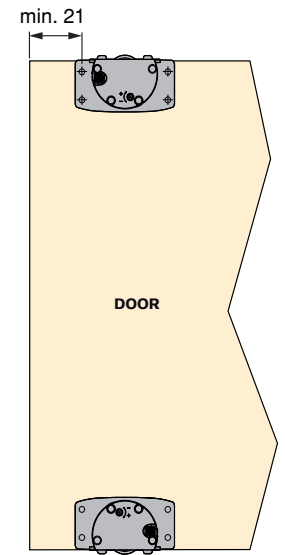
$D = A + B$
 $C = A + E - 7$
B min. = 9



$D = A + B$
 $C = A + E + 7,5$
B min. = 18

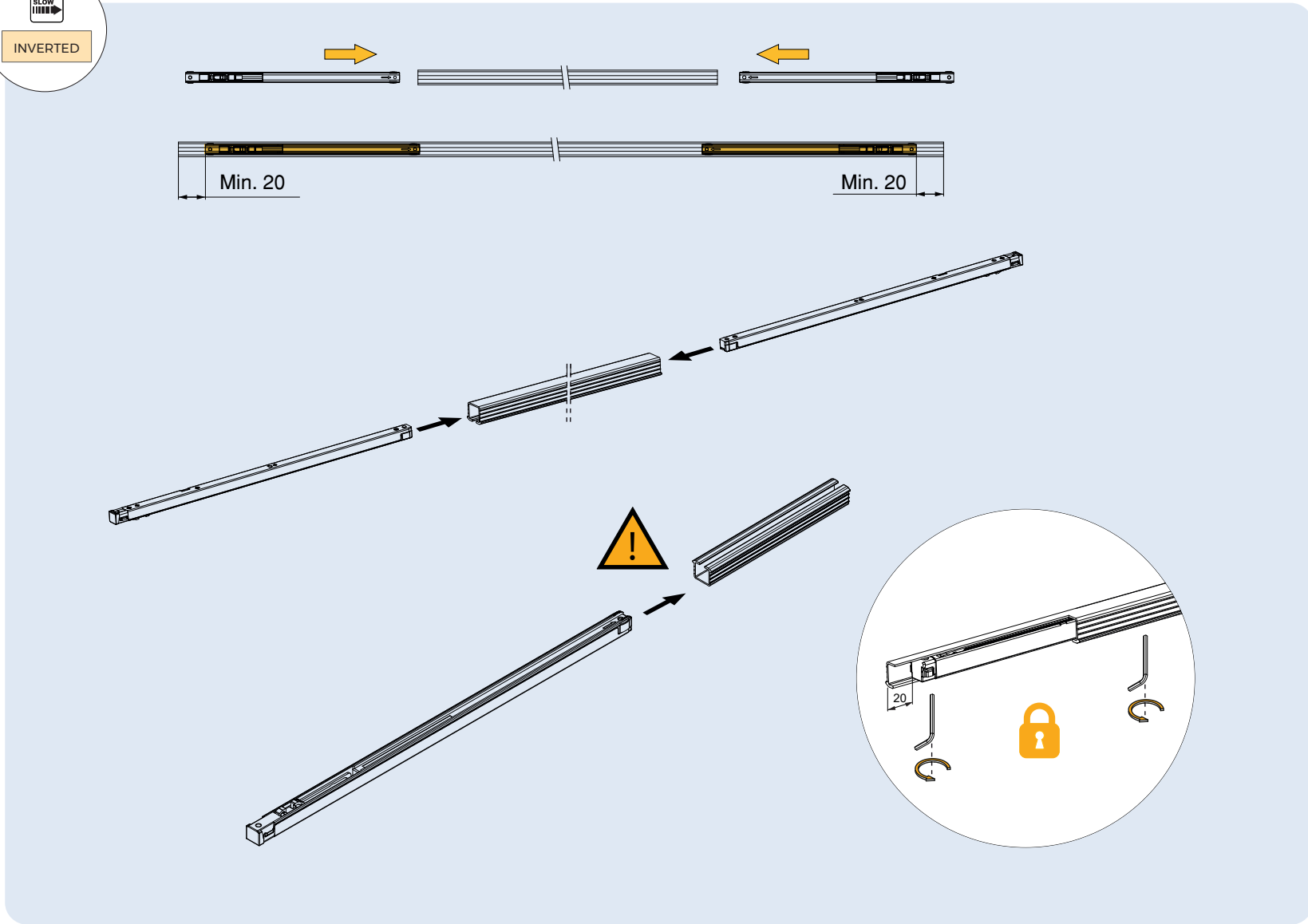
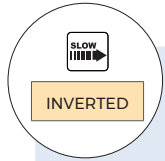


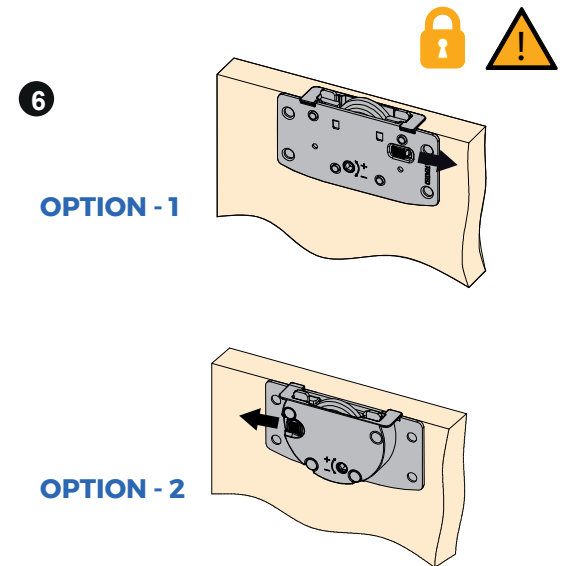
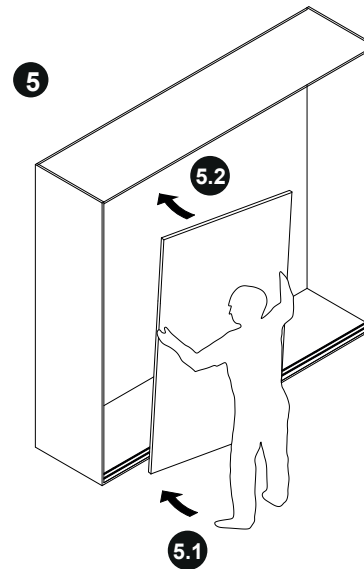
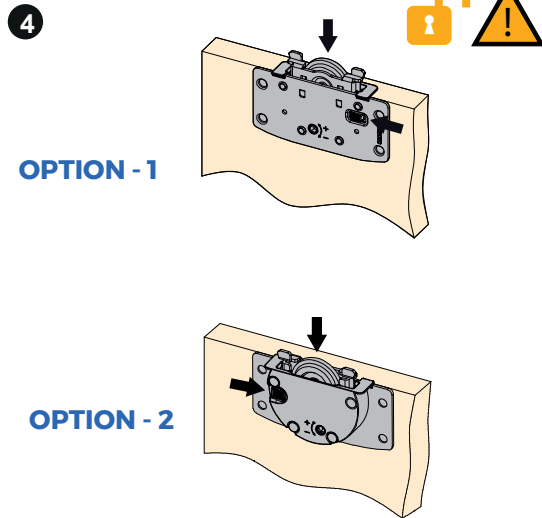
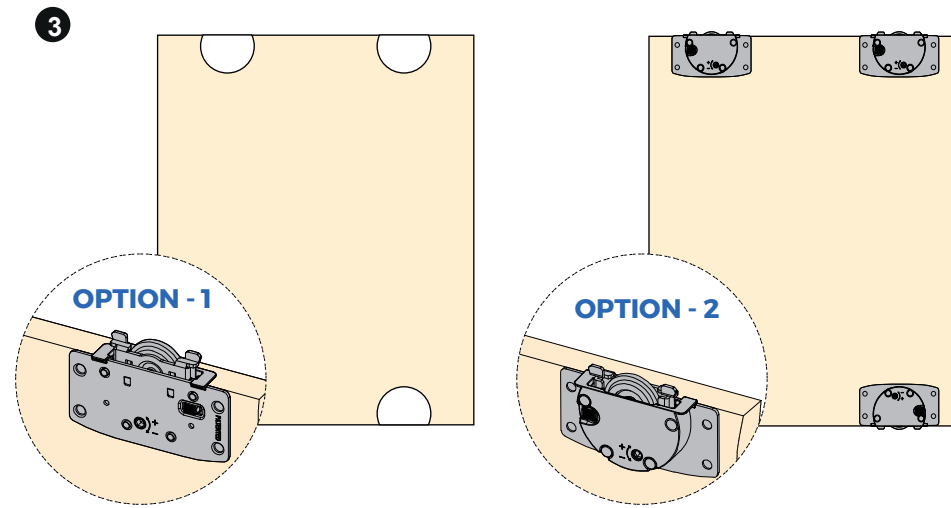
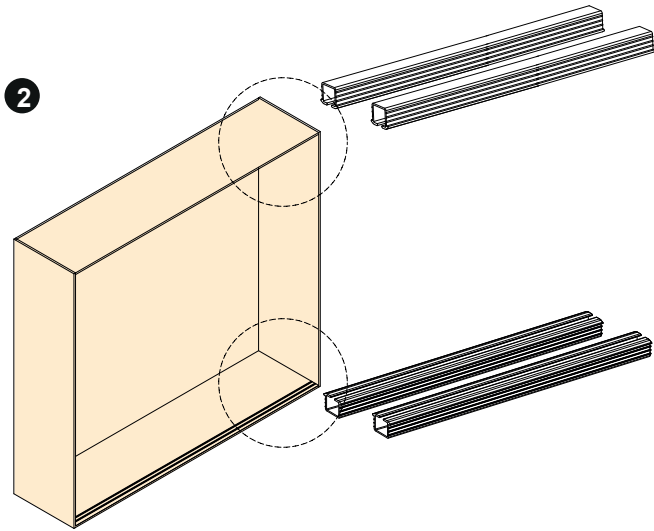
OPTION - 1



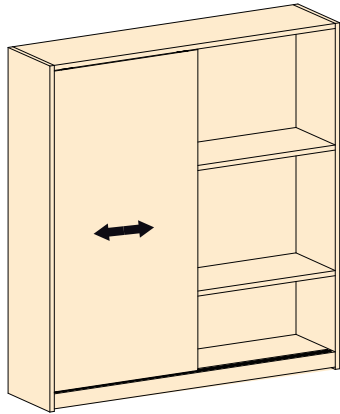
OPTION - 2

1 SLOW



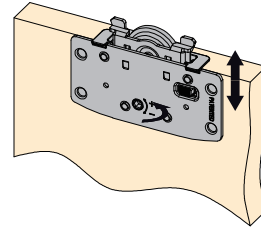


REGULATION

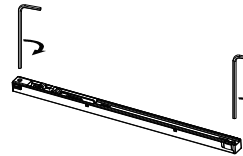
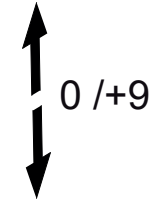
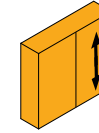


Push the door at the end to position the damper, adjust the doors horizontal.

OPTION - 1

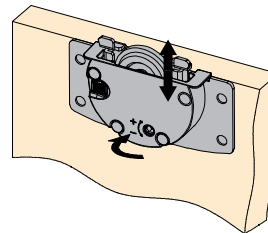


Adjust regulating up roller.

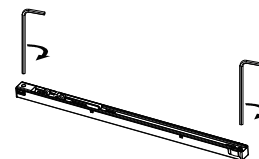
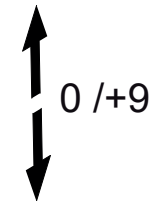
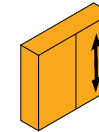


Lock the damper.

OPTION - 2



Adjust regulating up roller.



Lock the damper.