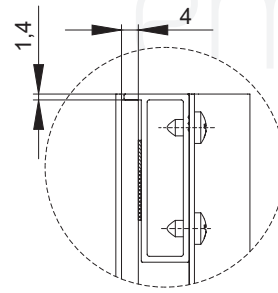
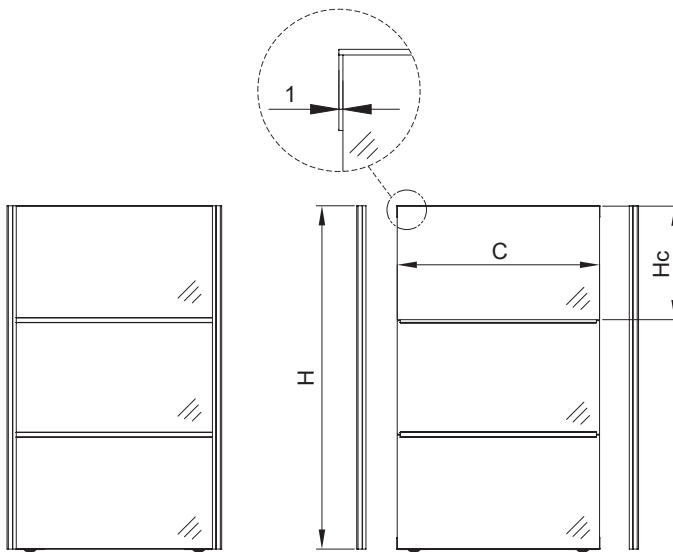


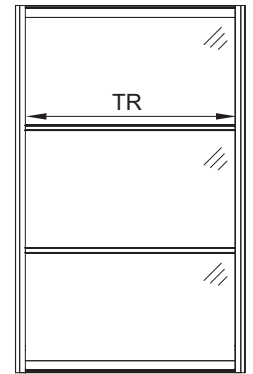
PLACARD glass / vetro / cristal / verre / vidro

1

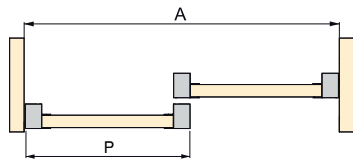


$$H_c = \frac{H - 3 - (4 \times N)}{N + 1}$$

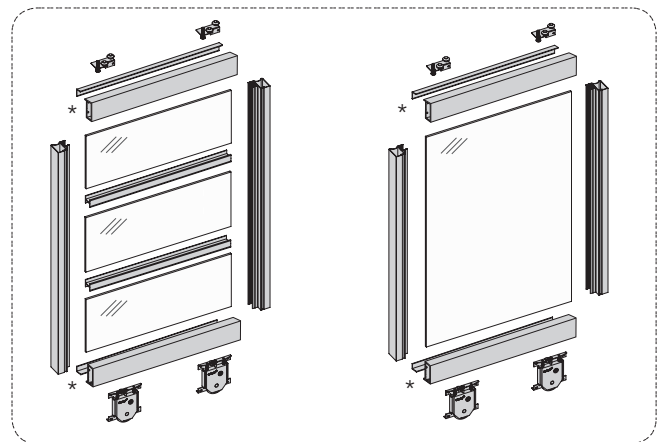
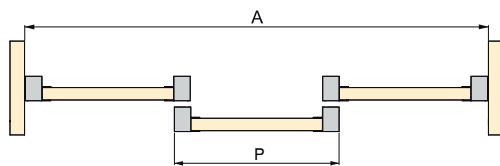
N = number of cross/pieces
 N = numero traversi
 N = números de travesaños
 N = nombre de traverses
 N = número de janelas
 (perfis de divisões horizontais)



2 doors / 2 porte / 2 puertas / 2 portes / 2 portas



3 doors / 3 porte / 3 puertas / 3 portes / 3 portas

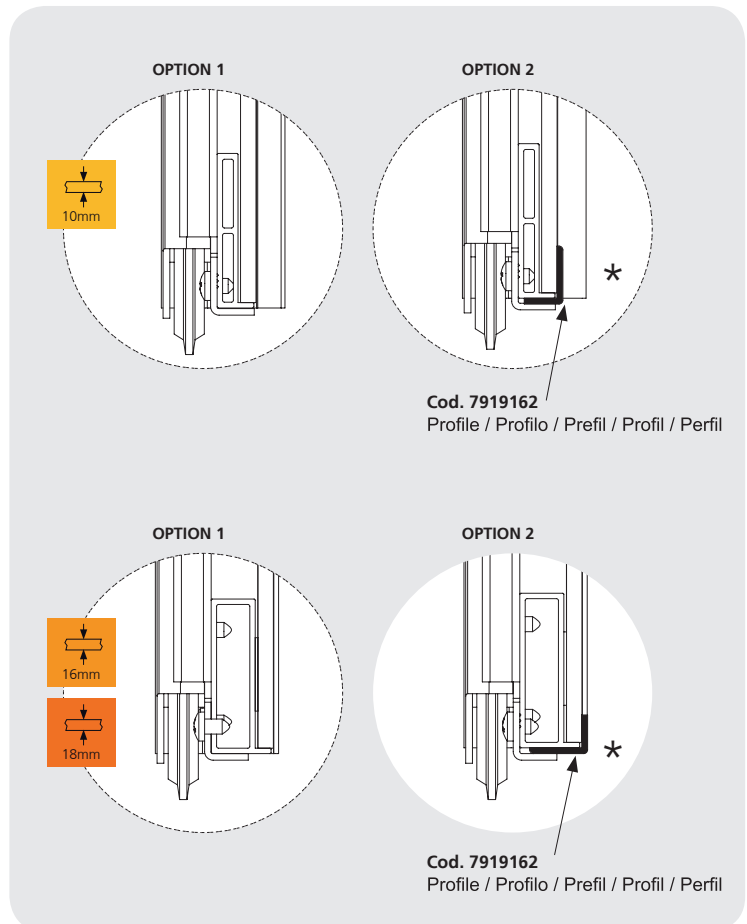
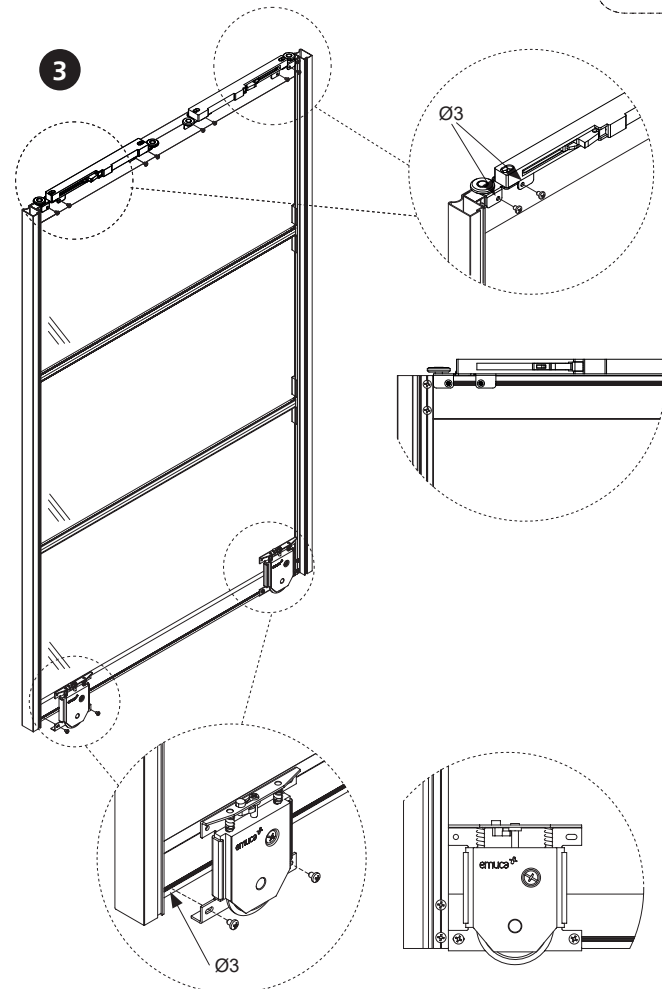
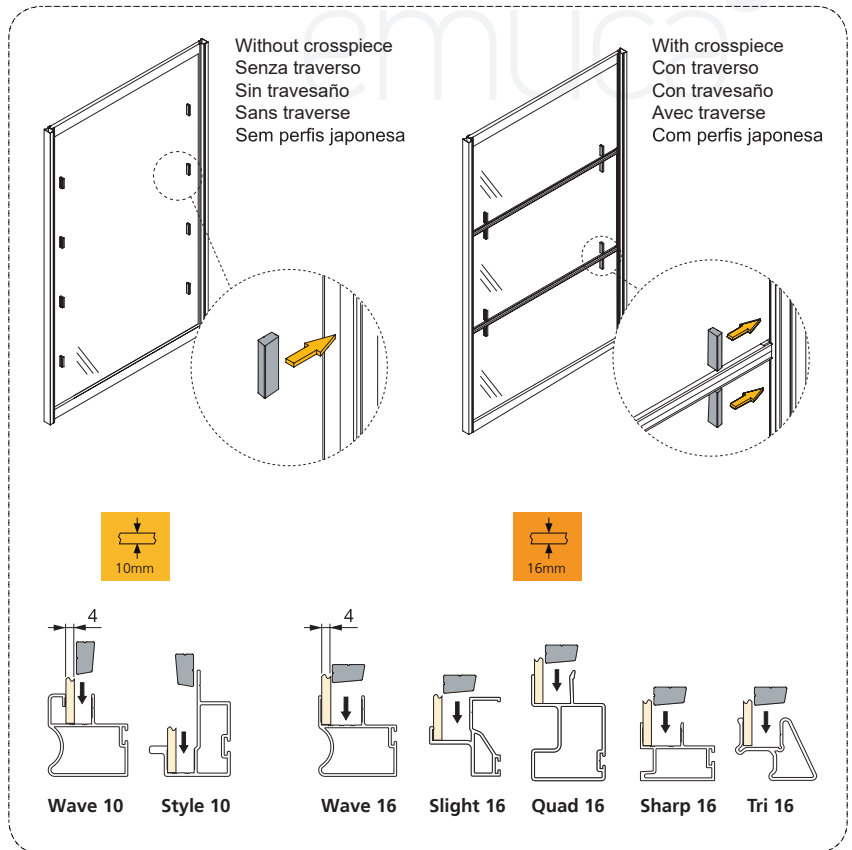
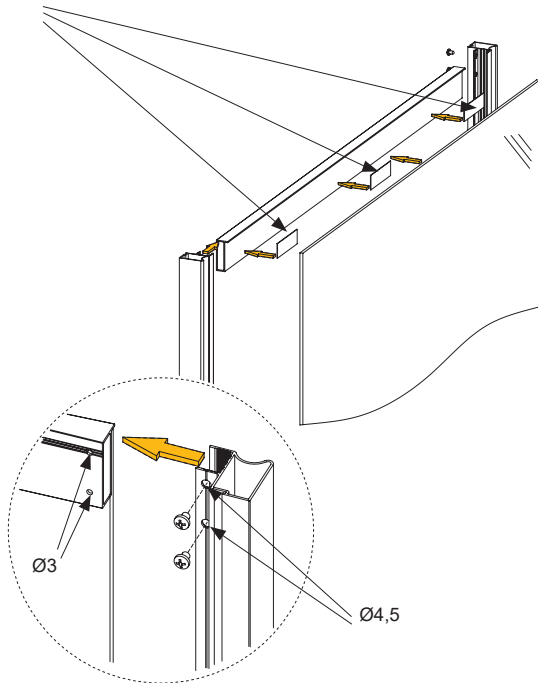


HANDLE PROFILE PROFILE MANIGLIA PERFIL TIRADOR PROFIL POIGNÉE PERFIL PUXADOR	Glass width Larghezza vetro Ancho cristal Largeur verre Largura vidro		Crosspieces width Larghezza traverso Ancho travesaño Largeur traverse Largura perfil japonesa		Upper and lower profile width Larghezza profilo superiore e inferiore Ancho perfil superior e inferior Largeur profil supérieur et inférieur Largura perfil superior e inferior		Door width Larghezza porte Ancho puerta Largeur portes Largura portas	
Style	$C = \frac{A + 12}{2}$	$C = \frac{A + 29}{3}$	$TR = \frac{A - 92}{2}$	$TR = \frac{A - 31}{3}$	$PS = \frac{A + 16}{2}$	$PS = \frac{A + 35}{3}$	$P = \frac{A + 22}{2}$	$P = \frac{A + 44}{3}$
Wave	$C = \frac{A - 68}{2}$	$C = \frac{A - 92}{3}$	$TR = \frac{A - 112}{2}$	$TR = \frac{A - 158}{3}$	$PS = \frac{A - 64}{2}$	$PS = \frac{A - 86}{3}$	$P = \frac{A + 20}{2}$	$P = \frac{A + 40}{3}$
Slight	$C = \frac{A - 46}{2}$	$C = \frac{A - 58}{3}$	$TR = \frac{A - 68}{2}$	$TR = \frac{A - 91}{3}$	$PS = \frac{A - 42}{2}$	$PS = \frac{A - 52}{3}$	$P = \frac{A + 28}{2}$	$P = \frac{A + 53}{3}$
Sharp	$C = \frac{A - 49}{2}$	$C = \frac{A - 66}{3}$	$TR = \frac{A - 85}{2}$	$TR = \frac{A - 90}{3}$	$PS = \frac{A - 45}{2}$	$PS = \frac{A - 60}{3}$	$P = \frac{A + 15}{2}$	$P = \frac{A + 30}{3}$
Quad	$C = \frac{A - 109}{2}$	$C = \frac{A - 146}{3}$	$TR = \frac{A - 157}{2}$	$TR = \frac{A - 218}{3}$	$PS = \frac{A - 105}{2}$	$PS = \frac{A - 140}{3}$	$P = \frac{A + 35}{2}$	$P = \frac{A + 70}{3}$
Tri	$C = \frac{A - 49}{2}$	$C = \frac{A - 66}{3}$	$TR = \frac{A - 93}{2}$	$TR = \frac{A - 90}{3}$	$PS = \frac{A - 45}{2}$	$PS = \frac{A - 60}{3}$	$P = \frac{A + 15}{2}$	$P = \frac{A + 30}{3}$

Cod. 900025

PLACARD glass / vetro / cristal / verre / vidro

- 2** 3M™ VHB™ Acrylic Foam Tape 4950P, White, 19 mm
 3M™ VHB™ Nastro in schiuma acrilica 4950P, Bianco, 19 mm
 3M™ VHB™ Cinta de Espuma Acrilica 4950P, Blanca, 19 mm
 3M™ VHB™ Ruban mousse acrylique 4950P, blanc, 19 mm
 3M™ VHB™ Fita de Espuma Acrilica 4950P, Branca, 19 mm



Cod. 900025